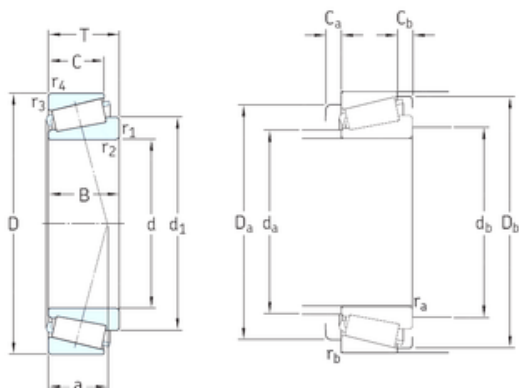




NTN PRECISION AXLE CORP.



Conical Bearing Taper Roller Bearing SKF 32004X/Q

Bearing No. 32004X/Q

32004X/Q Bearing 2D drawings and 3D CAD models

Size	20x42x15 mm
Bore Diameter	20 mm
Outer Diameter	42 mm
Width	15 mm
d	20 mm
D	42 mm
T	15 mm
B	15 mm
C	12 mm
a	10 mm
d1	32,1 mm
r1 min.	1,5 mm
r2 min.	1,5 mm
r3 min.	0,6 mm
r4 min.	0,6 mm
Ca min.	3 mm
Cb min.	3 mm
da max	25 mm
Da min	36 mm
Da max.	37 mm
db min	25 mm
Db min.	39 mm
ra max.	0,6 mm
rb max.	0,6 mm
Weight	0,098 Kg



NTN PRECISION AXLE CORP.

Basic dynamic load rating (C)	24,2 kN
Basic static load rating (C0)	27 kN
Fatigue load limit (Pu)	2,65
Reference speed	12000 r/min
Limiting speed	16000 r/min
Calculation factor (e)	0,37
Calculation factor (Y)	1,6